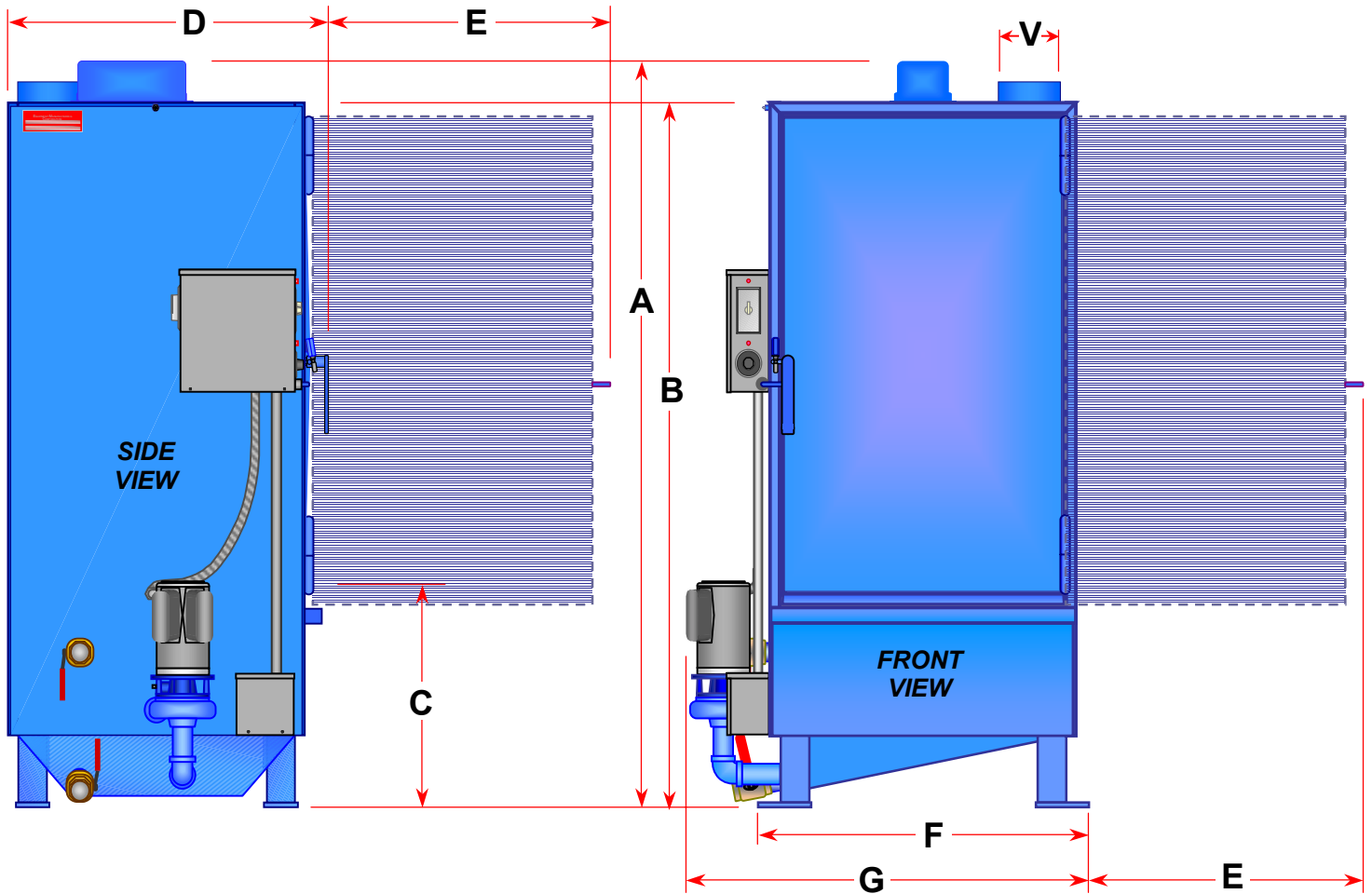


# **POWERJET® Outside Cabinet Dimensions**

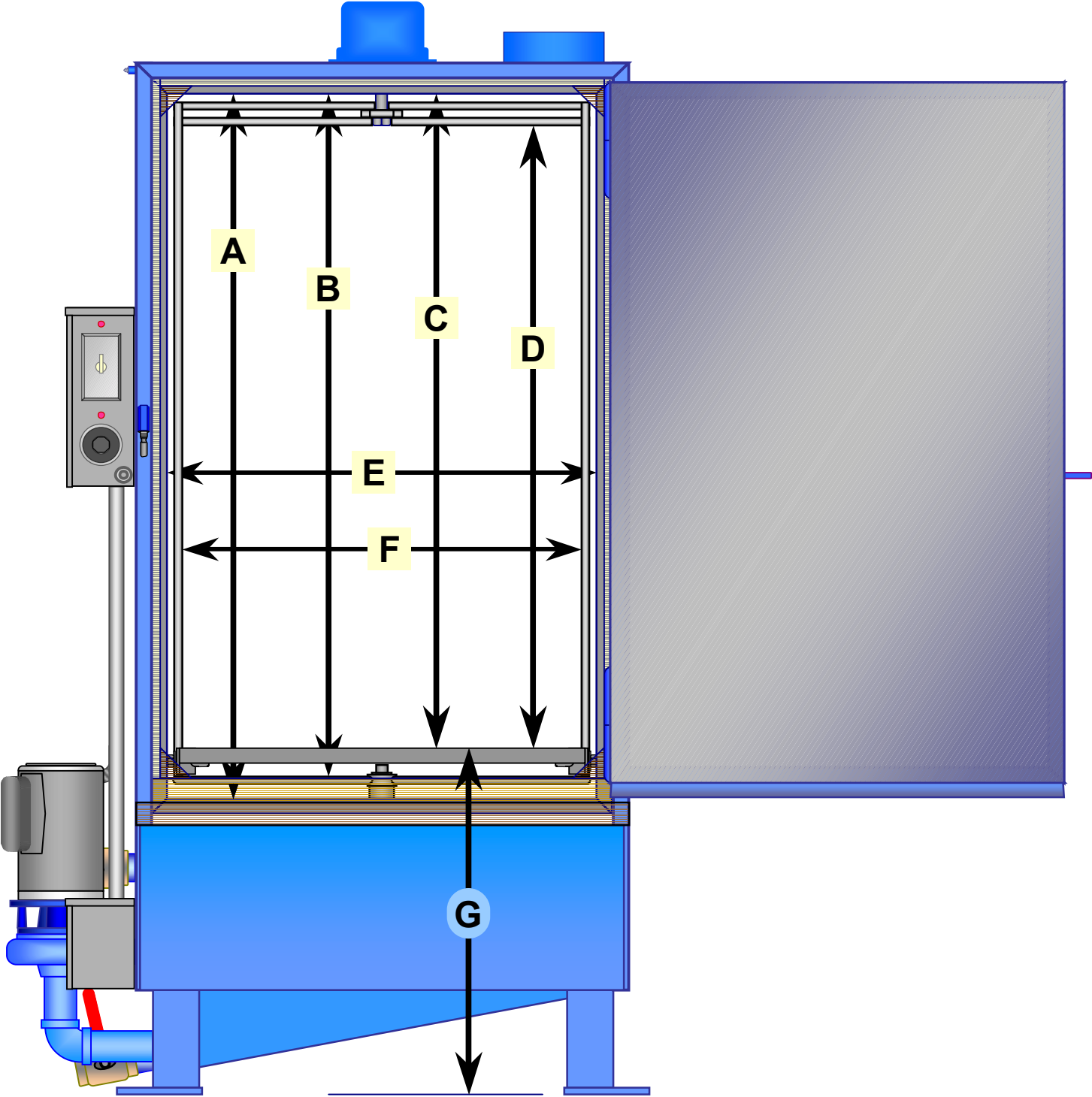


	<b>A</b> <i>Total Height</i>	<b>B</b> <i>Frame Height</i>	<b>C</b> <i>Floor to Top of Turntable Shelf (Adjustable)</i>	<b>D</b> <i>Depth, Front to Rear</i>	<b>E</b> <i>Door Swing Clearance</i>	<b>F</b> <i>Foot Pad Width, Side to Side</i>	<b>G</b> <i>Total Width, Side to Side</i>	<b>V</b> <i>Vent Stack Inside Diameter</i>
<b>2846</b>	73"	69"	min. 23½"	33"	add 30"	35"	42"	6"
<b>4046</b>	73"	69"	min. 24"	45"	add 42"	47"	54"	8"
<b>5846</b>	73"	69"	min. 24½"	63"	add 60"	65"	72"	12"

**EMC reserves the right to change specifications without notice**  
**This product is protected under US Patents: 5730872, 5772843, and 6115541**

**Equipment Manufacturing Corporation**  
 14930 Marquardt Avenue ° Santa Fe Springs, CA 90670 USA  
 (888) 833-9000 ° (562) 623-9394 ° (562) 623-9342 Fax  
[www.equipmentmanufacturing.com](http://www.equipmentmanufacturing.com)

**Wash Area & Load Size Clearances**



	<b>A</b> <i>Top Manifold to Bottom Manifold</i>	<b>B</b> <i>Top Manifold to Bottom Rotor Bar</i>	<b>C</b> <i>Top Manifold To Turn Table (Lowest position)</i>	<b>D</b> <i>Top Rotor Bar To Turn Table (Lowest position)</i>	<b>E</b> <i>Manifold Side to Side</i>	<b>F</b> <i>Rotor Bars Side to Side</i>	<b>G</b> <i>Floor to Turn Table top (Lowest position)</i>
<b>2846</b>	46"	44½"	42¾"	40¾"	28"	25½"	23½"
<b>4046</b>	46"	44½"	42¼"	40¼"	40"	37½"	24"
<b>5846</b>	46"	44"	41"	39"	58"	55"	24½"